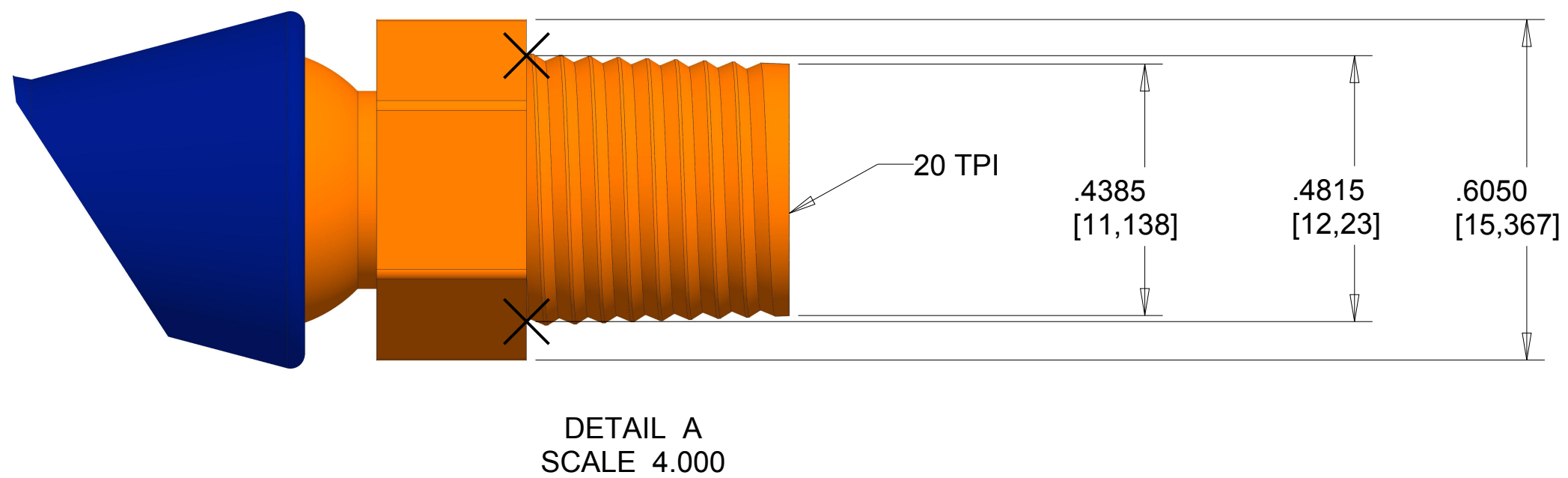
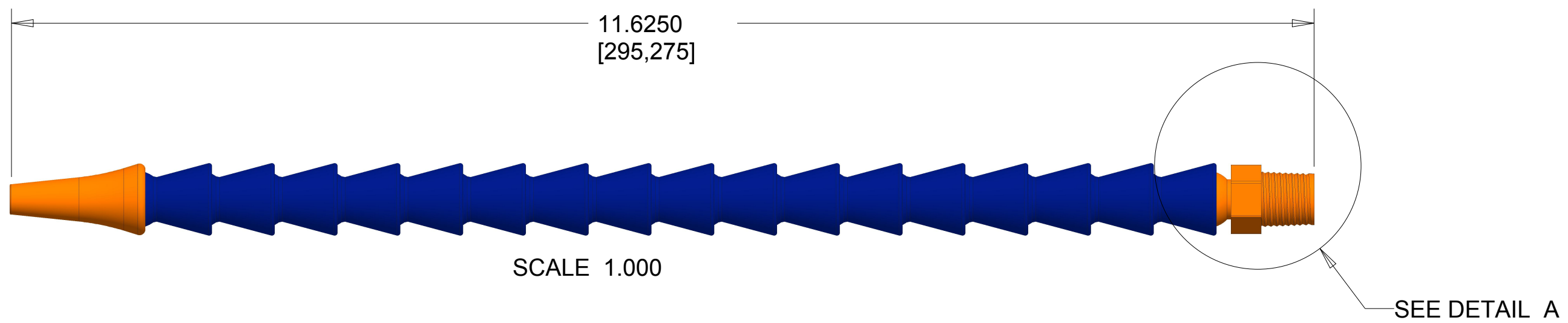


4

3

2

1



Threads are for cosmetic purposes only and do not reflect actual thread standards NOTES:	MATERIAL:	Polyoxymethylene (POM)	MODEL NAME:	Flexible Coolant Pipe
	These plastic Flexible Coolant Pipes have been primarily used to spray refrigeration or washing fluid for machine tools but, thanks to their articulation, they can be used in a multitude of different ways as well. The coolant pipes are 1ft long with a nozzle diameter of 3.5mm and 1/2"-20 pipe thread.		TOL-12054	
	DESCRIPTION:		PAGE SIZE C	
	DRAWN BY:	Paul Smith	SCALE:	
DATE:	17 Sept 2013	UNITS:	inch[mm]	
CAD APPLICATION: Creo Parametric 2.0		VER:	1.0	SHEET 1 / 1

4

3

2

1