

## ELECTRICAL PARAMETERS

HS-23103BSRND



### SELECTION GUIDE

Part No.	Digit Height	Emitting Color	REF Surface Color	Epoxy Color	Polarity
HS-23103BSRND	2.3"	Super Bright Red	Black Face	White Diffused	Common Anode

### ABSOLUTE MAXIMUM RATINGS (at T=25°C)

PARAMETER	SYMBOL	MAXIMUM RATING	UNIT
Power Dissipation	P <sub>D</sub>	100	mW
Peak Forward Current (1/10 Dudy Cycle, 0.1 Ms Pulse Width)	I <sub>PEAK</sub>	150	mA
DC Forward Current	I <sub>F</sub>	25	mA
Reverse Voltage	V <sub>R</sub>	5	V
Operating Temperature Range	T <sub>A</sub>	-40°C to +85°C	
Storage Temperature Range	T <sub>STG</sub>	-40°C to +85°C	
Solder temperature 1/16 inch below seating plane for 3 seconds at 260°C			

### ELECTRICAL OPTICAL CHARACTER AND CURVES (at T=25°C)

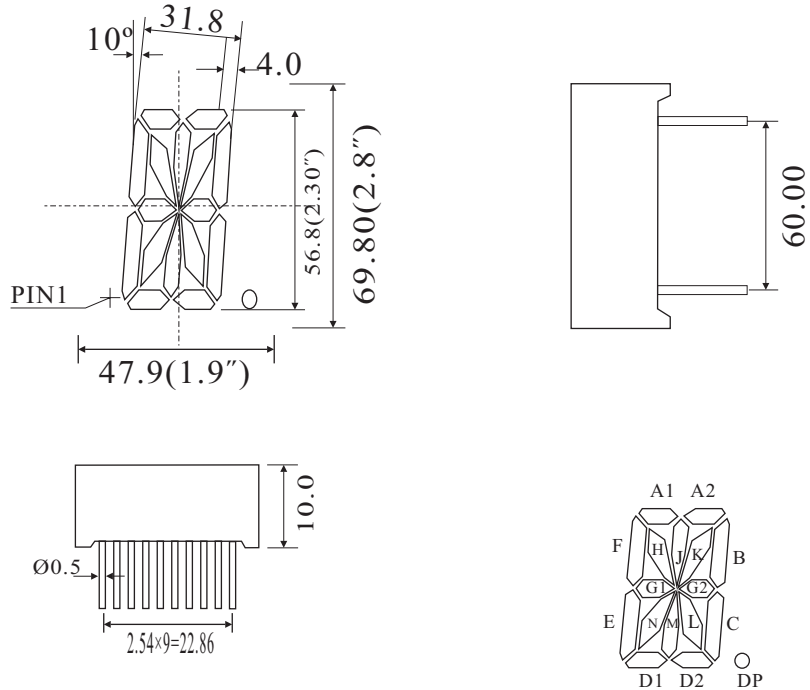
PARAMETER	SYMBOL	TYP	MAX	UNIT	LOCATION	TEST CONDITION
Forward Voltage	V <sub>F</sub>	2.1	2.4	V	Per Chip	I <sub>F</sub> =20mA
Luminous Intensity	I <sub>v</sub>	90	100	mcd	Per Chip	I <sub>F</sub> =20mA
Peak Emission Wavelength	λ <sub>p</sub>	630	-	nm	Per Chip	I <sub>F</sub> =20mA
Dominant Emission Wavelength	λ	625	630	nm	Per Chip	I <sub>F</sub> =20mA
Spectral Line Half-Width	Δλ <sub>1/2</sub>	20	-	nm	Per Chip	I <sub>F</sub> =20mA
Capacitance	C	40	-	Pf	Per Chip	V <sub>F</sub> =0V; f=1Mhz
Reverse Current	I <sub>R</sub>	-	10	uA	Per Chip	V <sub>R</sub> =5V

**Note:**

1. Luminous intensity tolerance is ±10%;
2. Dominant Emission Wavelength tolerance is ±5%.

PACKAGE DIMENSION

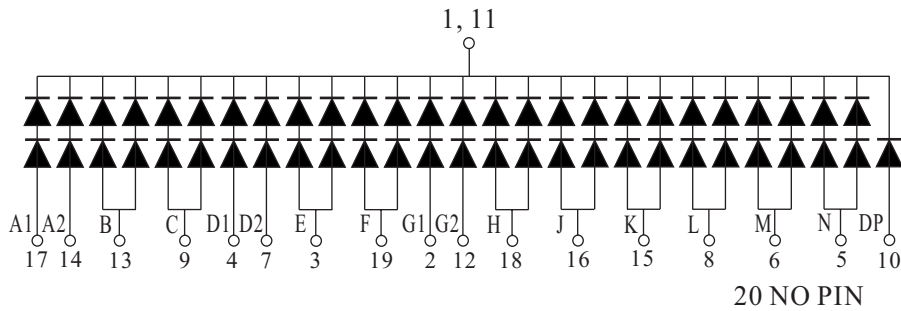
HS-23103A/BX



UNIT: MM(INCH) TOLERANCE:  $\pm 0.25(0.01)$ "

Internal Circuit Diagram

HS-23103AX



HS-23103BX

